

LL4A(LX4) Series Limit Switch系列限位开关

产品性能Performance

适用于交流50~60Hz; AC380V;DC220V;电流20A控制电路中, 作为操作限制各种机构的行程之用。

其中每类型的限位开关, 由于它的特殊结构, 又有特殊的应用条件。

LL4A-11、12型限位开关, 适用于惰性行程不甚大的平移机构。

LL4A-21、22型限位开关, 适用于惰性行程较大的平移机构。

LL4A-31、32型限位开关, 适用于提升机构。

LL4A-41、42型限位开关, 适用于需要三个操作位置的平移机构。

LL4A-62型限位开关, 适用于需要三个操作位置的平移机构。

LL4A-12S型限位开关, 适用于需防水场合的惰性行程水甚大的平移机构。

能工作在海拔高度不超过1000m;周围温度-30℃~+40℃; 空气相对湿度不大于85%; 防护等级IP44。符合GB14048.5-2001标准。

It is to service at the control circuit of AC 50~60Hz, AC380V, DC220V and current of 20A to adjust the mechanism travel.

Among, every type of limit switch has its special structure and special application condition.

LL4A-11、1 type of limit switch is to service for the horizontal mechanism with no large inertia travel.

LL4A-31、32 type of limit switch is to service for lift mechanism.

LL4A-41、42 type of limit switch is to service for the horizontal mechanism demanding three operation positions.

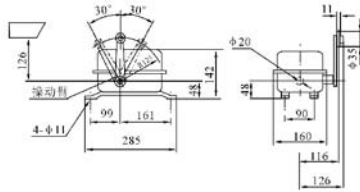
LL4A-12S type of limit switch is to service for the horizontal mechanism with no large inertia travel in the occasion water-proof.

The nominal service conditions include an ambient temperature of -30℃~+40℃, ambient relative humidity of 85% and below, an altitude of 1000m and protection degree of IP44. It complies with the standard of GB14048.5-2001.

组成型号表Model table

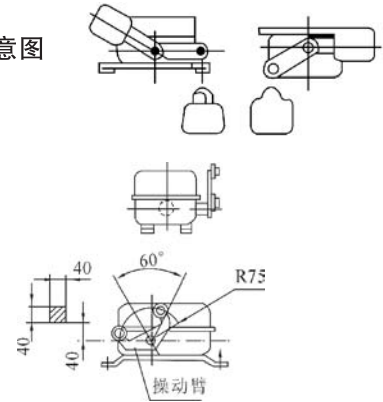
LL4A-11	用带有滚子的单臂操动,轴在弹簧的作用下转动,使操动臂恢复到零位
LL4A-12	Operating with a single arm with roller and the shaft rotates under the action of the spring to make operating arm back zero position.
LL4A-11S	
LL4A-12S	
LL4A-21	用带有滚子的叉形臂操动2个转位位置
LL4A-22	Operating by folk-shaped arm fitted with roller to rotate two transition positions.
LL4A-31	用带有平衡重锤的荷重杠杆操动,当机构托架举起了平衡重锤后,使荷重杠杆操动
LL4A-32	Operating by loaded lever with heavy balance hammer. The loaded lever operates when the mechanism bracket lifts heavy balance hammer.
LL4A-31S	
LL4A-32S	
LL4A-41	用三叉形臂操动3个转换位置
LL4A-42	Operating by three folk-shaped arms three transition positions.
LL4A-61	用带有滚子的双臂操动2个转换位置
LL4A-62	Operating two transition positions by dual-arm with roller

LL4A-11、12
LX4-11、12

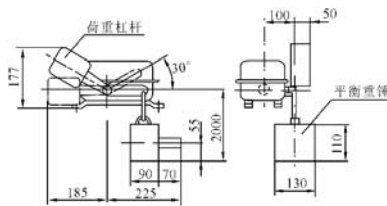


LL4A-31、32安装示意图

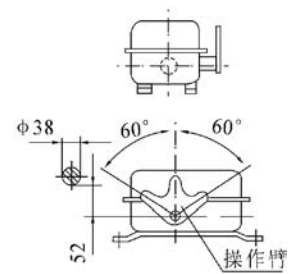
LL4A-21、22
LX4-21、22



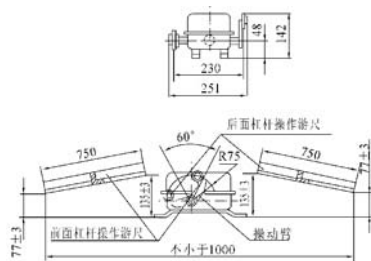
LL4A-31、32
LX4-31、32



LL4A-41、42
LX4-41、42



LL4A-61、62
LX4-61、62



LL4A-11S、12S
LX4-11S、12S



LL4A-31S、32S
LX4-31S、32S

